

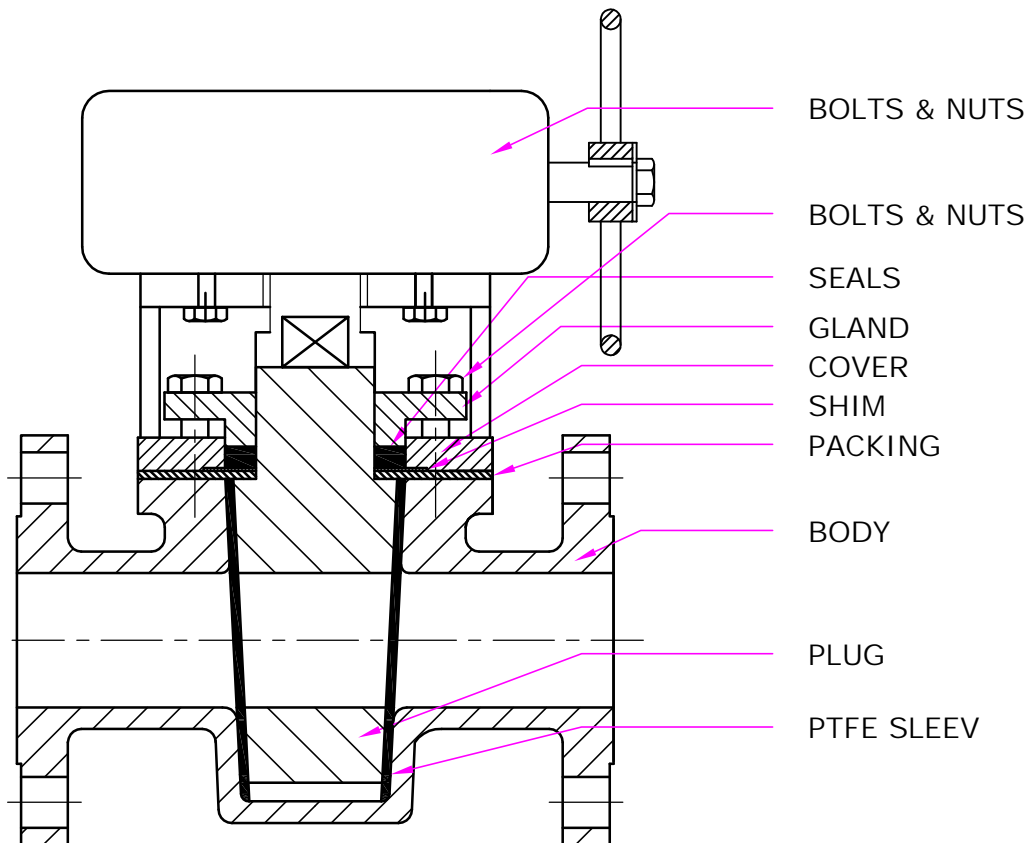
PLUG VALVE TEFLONE SEAT

APPLICABLE STANDARD

DESIGN STD. : API 599
 TESTING STD. : API 598
 RATING : 150#
 DRILLING : AS PER ANSI B 16.5
 FACE TO FACE : AS PER ANSI B 16.10
 END CONN. : FLANGED END
 LEAKAGE CLASS : CLASS IV
 OPERATION : GEAR OPERATED

FEATURES :

NO LUBRICATION, NO MAINTENANCE COST
 EXCELLENT SHUT-OFF AND CONTROL PROPERTIES
 TIGHT SHUT-OFF LIQUIDS AND GASES
 (LEAKRATE < 10^{-6} mbar l/sec)
 LONG SERVICE - LIFE AT HIGHEST RELIABILITY
 ECONOMICAL LIFE - CYCLE - COST AT DIFFERENT APPLICATIONS



VALVE SIZE - INCH	1"	1.5"	2"	2.5"	3"	4"	6"	8"	10"	12"	
VALVE SIZE - MM	25	40	50	65	80	100	150	200	250	300	
A	150#	127	165	178	190	203	229	267	292	330	356



FLOW-TEK VALVES & CONTROLS INC

PLOT NO: 172-173, ROAD NO. 4, G.I.D.C.,
 KATHWADA, AHMEDABAD - 382430
 (M) : 09824080899, 09824539702
 PHONE : (079) 22900220, 22900219
 E-MAIL : info@flowagevalves.com, hemal21386@gmail.com
 url : www.delugecontrolvalve.com, www.flowagevalves.com
 AN ISO 9001:2008 CERTIFIED COMPANY